

XSAT2102A Product Brief

1. Description

The XSAT2102A is an PCI Express Gen2X1 to two-ports Serial ATA Controller, enables Serial ATA PHY up to 6Gbps high speed interface, following Serial ATA Revision 3.0 Specification.

2. Features

- 1.1V core and 3.3V I/O power supplies.
- Reference clock frequency of 25 MHz, provided by an external clock source or generated by an external.
- PCIe 2.0 endpoint device.
- Compliant with PCIe 2.0 specifications.
- Supports communication speed of 2.5 Gbps and 5 Gbps.
- Supports AHCI programming interface registers for the SATA controller.
- Supports aggressive power management.
- Supports error reporting, recovery and correction.
- Supports Message Signaled Interrupt (MSI).
- Improved PCIe read request efficiency.
- Compliant with Serial ATA Specification 3.1.
- Supports communication speeds of 6 Gbps, 3 Gbps, and 1.5 Gbps.

- Supports programmable transmitter signal levels.
- Supports Gen 1i, Gen 1x, Gen 2i, Gen 2m, Gen 2x, and Gen 3i.
- Supports two SATA ports.
- Supports AHCI 1.0 programming interface.
- Supports Native Command Queuing (NCQ).
- Supports Port Multiplier FIS based switching.
- Supports Partial and Slumber Power Management states.
- Supports Staggered Spin-up.
- A four-pin interface provides read and write access to an external SPI flash or SPI ROM device.
- Vendor specific information stored in the external device is read by the controller during the chip power-up.
- PCI Boot ROMs of PCIe function 0 can also be stored in the external SPI device and read through the Expansion ROM BAR and the SPI interface controller.

3. Applications

- PC/IPC Motherboard
- NoteBook
- Server Motherboard
- NVR
- NAS

XSAT2102A Product Brief

4. Functional Diagram

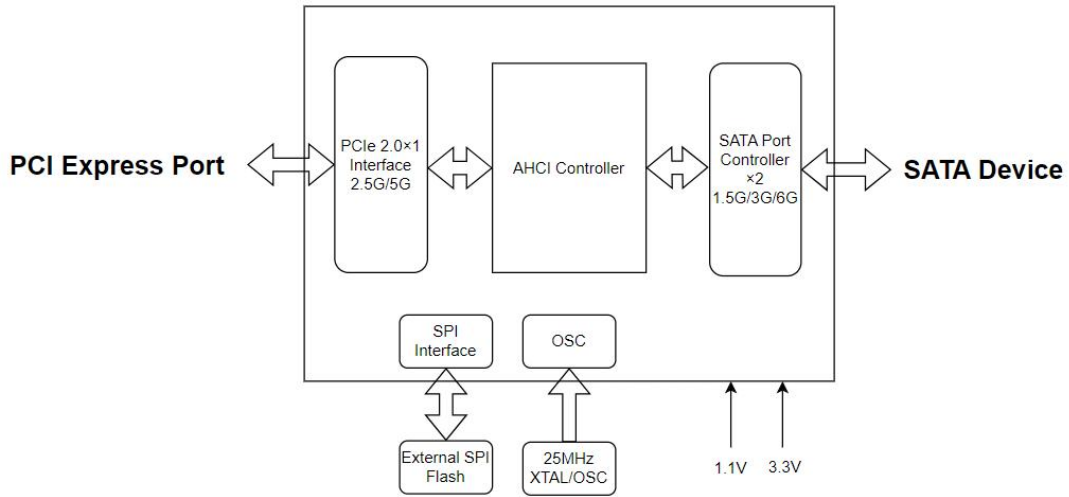


Figure 1 Functional Diagram